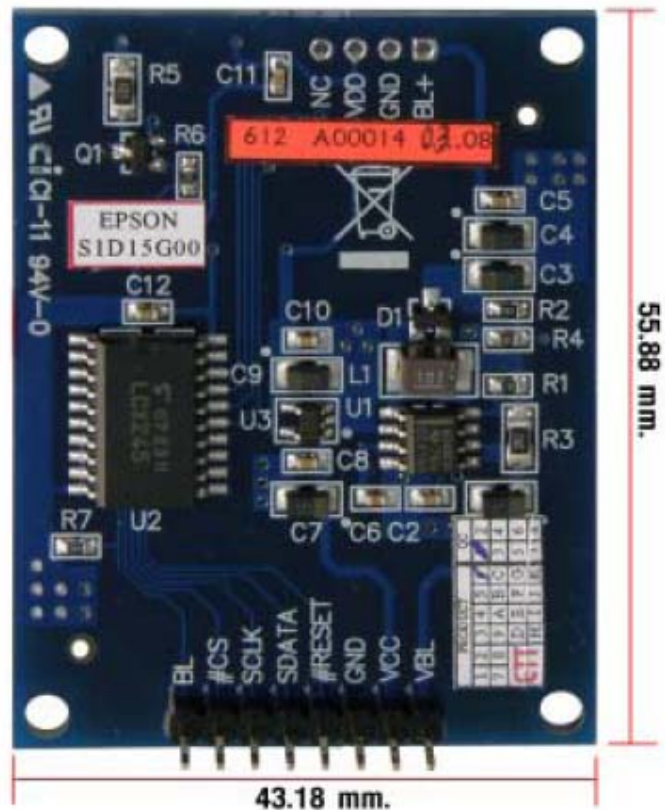
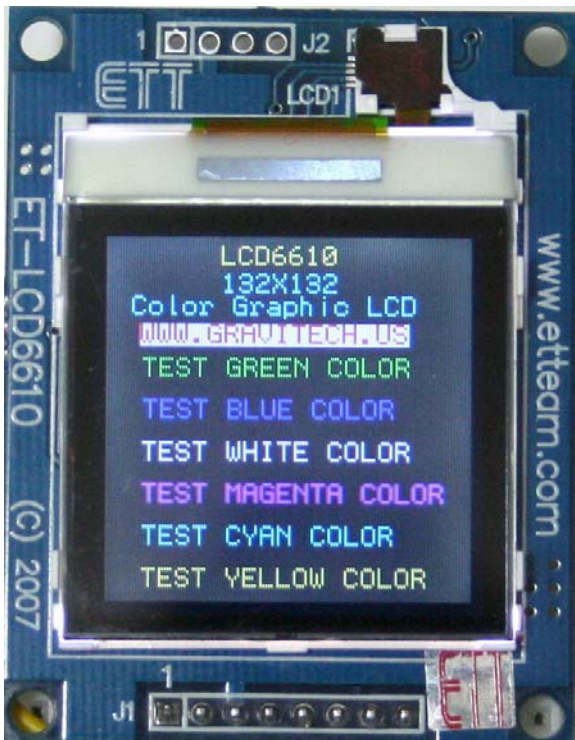


132x132 Color Graphic LCD User Manual

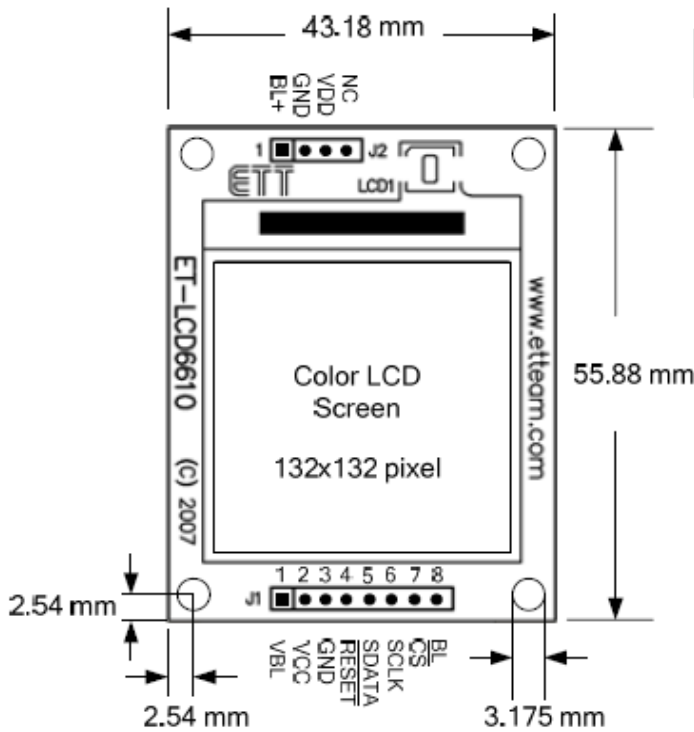
GRAVITECH.US



Electronic Experimental Solutions

Copyright © 2008 Gravitech
WWW.GRAVITECH.US

132x132 Color Graphic LCD User Manual



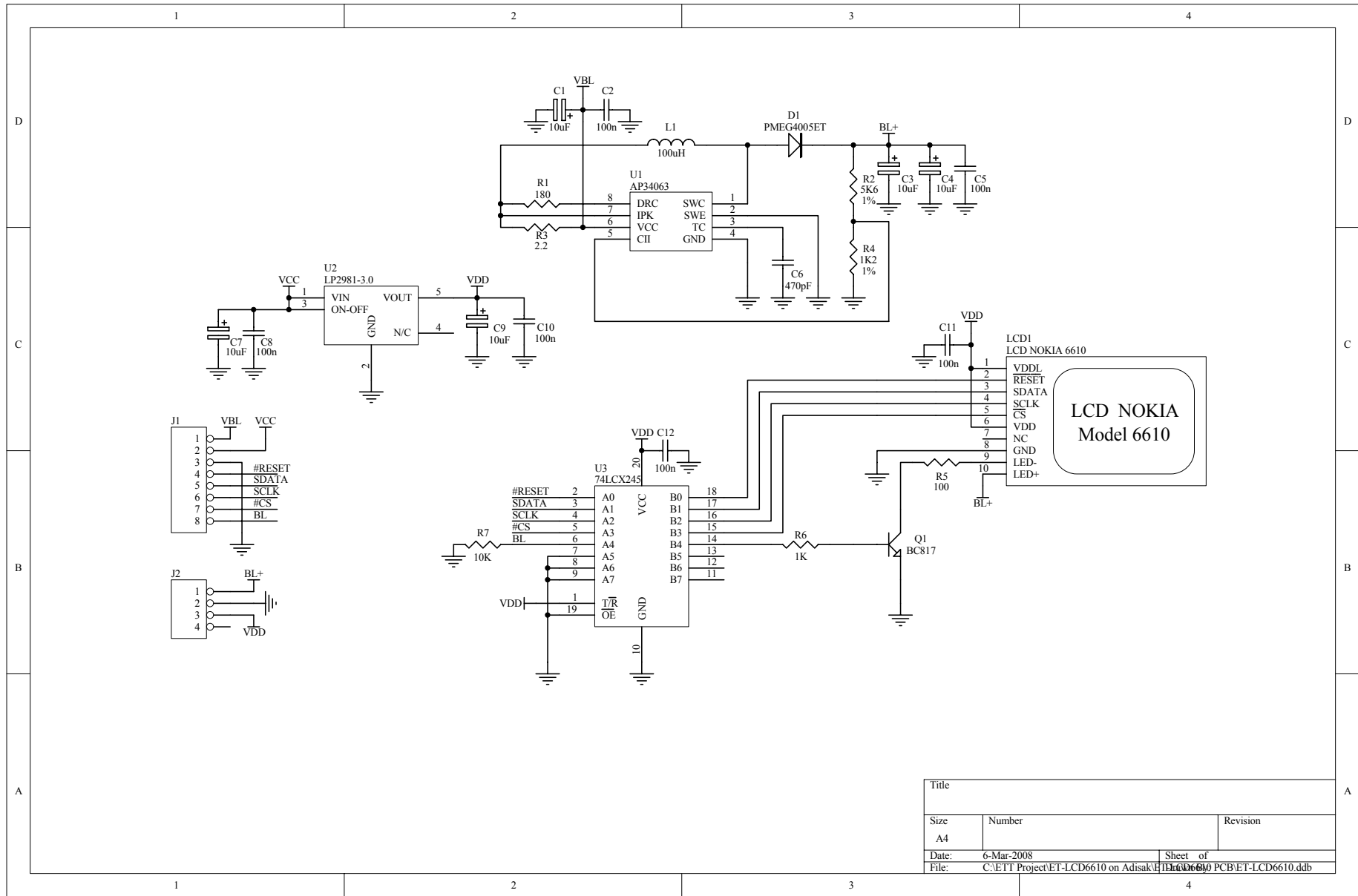
Features

- LCD Logic: 3.3V or 5.0V
- LED Backlight : 7V (On-board DC/DC converter)
- 132x132 pixel
- 0.1" spacing (breadboard ready)
- 4,096 Color Display
- 9-bit SPI
- Uses the Epson S1D15G00 Controller
- **Connect directly to 3.3V or 5.0V microcontroller**

Table 1: LCD6610 pin out

Pin No.	Name	Type	Description
1	VBL	PWR	Power to the booster circuit for LED Back-Light (3.3V to 5.5V). Usually the same as VCC.
2	VCC	PWR	Logic supply (3.3V to 5.5V)
3	GND	PWR	Supply ground
4	RESET	Input	LCD reset (active low)
5	SDATA	Input	Serial data
6	SCLK	Input	Serial clock
7	CS	Input	Chip select (active low)
8	BL	Input	Back-Light controller (1=ON, 0=OFF)

NOTE: J2 is for the stability of the LCD's body. It is not necessary to connect. BL+ on J2 is an output power from the booster circuit for LED back-light. It is approximately 7V.



Title		
Size	Number	Revision
A4		
Date:	6-Mar-2008	Sheet of
File:	C:\ETT Project\ET-LCD6610 on Adisak	ET-LCD6610 PCB\ET-LCD6610.ddb

132x132 Color Graphic LCD User Manual

Notes

Contact Us

We maintain a website where you can get information on our products, obtain literature and download support files. Visit us online at:

WWW.GRAVITECH.US

E-mail your technical support questions to support@gravitech.us. We try to respond to your questions the same day.

For sales questions or to place and order, direct your e-mails to sales@gravitech.us. Refer to our website for product pricing, shipping rates, payment instructions, and for other info we need to complete your order.

Disclaimer: Gravitech reserves the right to modify its products or literature, or to discontinue any product at any time without prior notice. The customer is responsible for determining the suitability of any device for any application developed using Gravitech components. GRAVITECH IS NOT RESPONSIBLE FOR SPECIAL, INCIDENTAL, OR CONSEQUENTIAL DAMAGES UNDER ANY LEGAL THEORY, INCLUDING LOST PROFITS, DOWNTIME, GOODWILL, DAMAGE TO OR REPLACEMENT OF EQUIPMENT OR PROPERTY. GRAVITECH IS ALSO NOT RESPONSIBLE FOR ANY PERSONAL DAMAGE, INCLUDING THAT TO LIFE AND HEALTH, RESULTING FROM USE OF OUR PRODUCTS. THE USER TAKES FULL RESPONSIBILITY FOR EACH OF OUR PRODUCT APPLICATION, NO MATTER HOW LIFE-THREATENING IT MAY BE.

*** By using Gravitech products constitute your acceptance of and confirmation of these terms.**

Copyright © 2008 Gravitech
WWW.GRAVITECH.US